

5.1 Technical features

Max working pressure PS:	30-80 bar
Test pressure PT:	PS x 1,43 bar
Temperature range min. and max TS:	-40°C ÷ 150°C (subject to restrictions due to bladder material)
Nominal capacities:	1.5-3-5-10-15-20-25-35-55 Litres
Precharge pressure:	≤ 15 bar

5.2 Construction features

THE STANDARD VERSION (AS) INCLUDES:

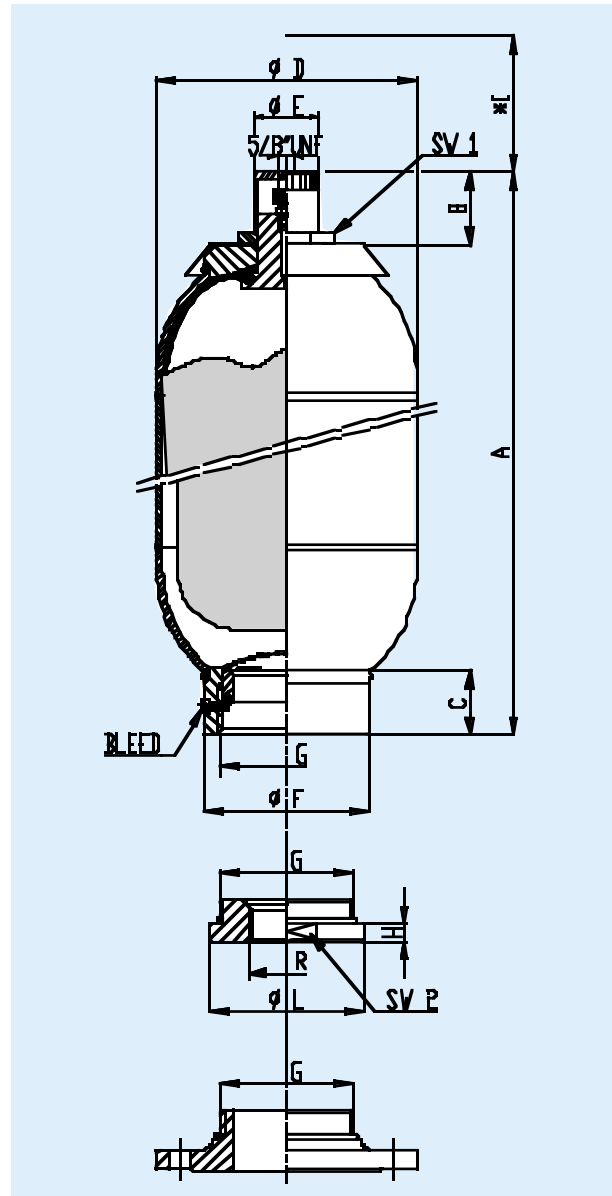
- Shell in welded carbon steel, sandblasted and painted outside with a coat of rust inhibitor.
- Gas valve in phosphated carbon steel.
- Female (G) ISO 228 threaded fluid port connection.
- Bladder in standard oil resistant nitrile rubber (P).
- Testing and certification according to directive 97/23/EC.
- Preloading with nitrogen at **5 bar** (other values available if specified in order).

N.B. Technical features of **AS** standard version are also valid for **AST** and **ASL** versions except for the structure of gas side valve (see pages 36 and 37).

ON REQUEST the accumulator can be supplied with the following features:

- **SHELL AND VALVES PROTECTED** with a chemical coating of nickel (25 microns thick. Specify other thickness if required).
- **SHELL AND VALVES IN STAINLESS STEEL**
1.5-3 and 5 lts. capacities: max working pressure **40 bar**.
10 - 55 lts. capacities: max working pressure **25 bar**.
 For all sizes the certificate for the material and works test can be supplied.
- **BLADDER IN BUTYL, NEOPRENE, ETHYLENE-PROPYLENE, HYDROGENATED NITRILE, NITRILE FOR LOW TEMPERATURE (-40°C), NITRILE FOR HYDROCARBONS, EPICHLOROHYDRIN FOR FOODSTUFF.**
- **WORKING PRESSURE 50 bar** for capacities 10 ÷ 55 litres in carbon steel.
- **ADAPTER R** with ISO 228 thread for the diameters indicated in the table, with other threads to be specified or blind.
- **FLUID PORT FLANGED CONNECTION** (specify PN and DN and flange standards. For order code see page 24)¹⁾.
- **GAS SIDE FLANGED CONNECTION** for special applications (specify flange data)¹⁾.
- **SAFETY VALVE** gas side or liquid side or only with the adapter for this valve (see page 26-27)¹⁾.
- **SPECIAL ANTI-PULSATION CONNECTION** liquid side (see page 25)¹⁾.

1) Specify features separately.



5.3 Dimensions ²⁾

Type	Max work. pressure (bar)	Gas volume (litres)	Dry weight (kg)	Fluid port connection		A	B	C	ø D	ø E	ø F	H	*I	ø L	SW 1	SW 2
				G ISO 228	R ISO 228											
AS 1,5	80	1,5	6,1	2"	0 = blind	330 ± 3	47	48	114 ± 1	25	75	11	140	74	32	70
AS 3		2,95	9,1		3/4"-1"-1"1/4	510 ± 5										
AS 5		5	15,7		2"1/2	1"-1"1/4-1"1/2										
AS 10	30	9,6	18	4"	0 = blind	475 ± 5	60	50	219 ± 2	55	130	14	140	130	70	120
AS 15		14,5	23		1/2"	615 ± 5										
AS 20		18,8	28		1"1/4	755 ± 8										
AS 25		23,5	33		2" - 3"	900 ± 8										
AS 35		33,5	47			1285 ± 10										
AS 55		50	65			1765 ± 10										

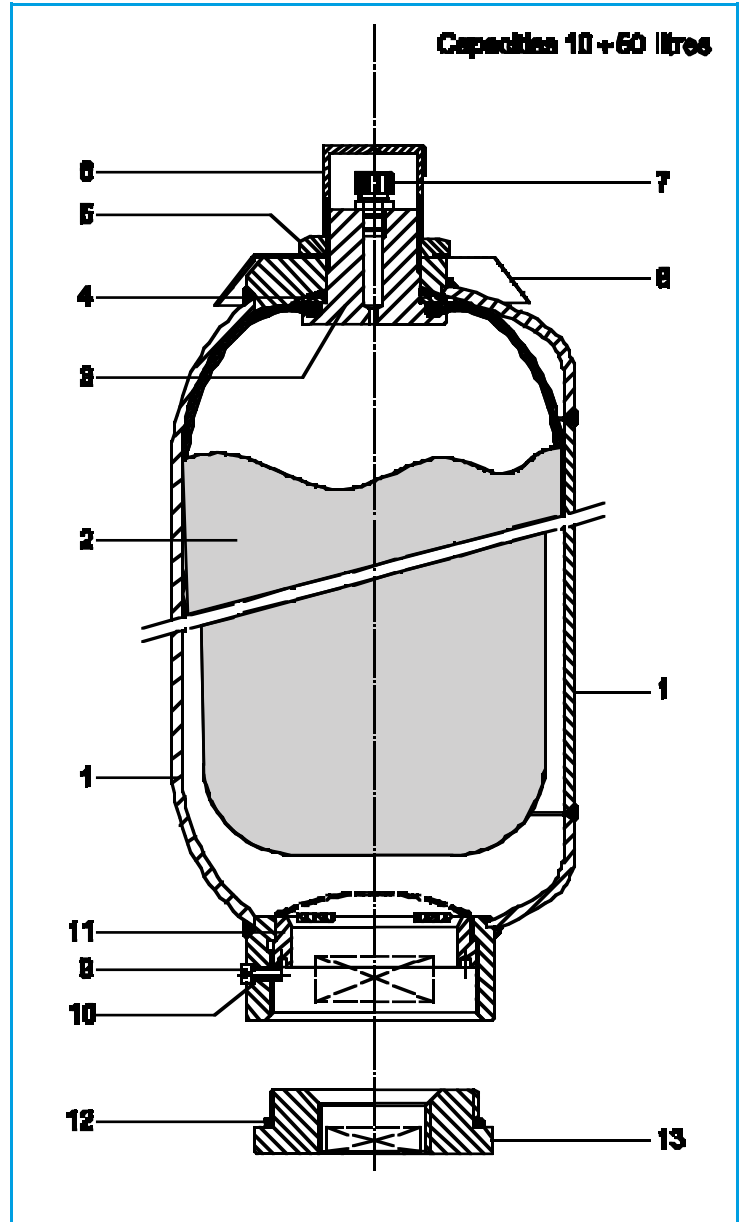
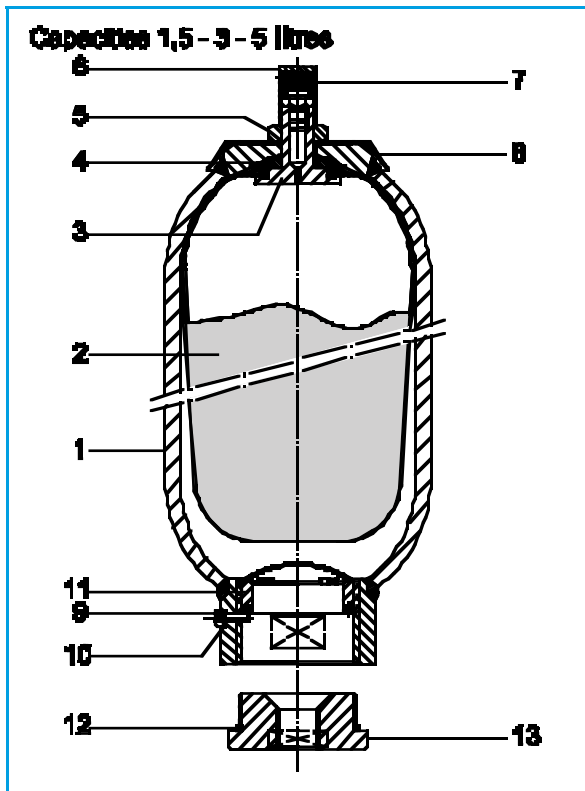
* I = Overall dimensions of pre-loading unit.
 2) = Data related to standard version in carbon steel.

5.4 Components and spare parts

The table 5.4.1 provides a list of accumulator components and, for each model, the part number to be used when ordering; this number is **VALID FOR STANDARD VERSION ONLY**.

For all versions differing from standard it is necessary to give the **manufacturer's serial number and the material**.

Orders for bladder must be carried out as per instructions on Page 37 or giving the accumulator identification code or manufacturer's serial number.



5.4.1 Spare parts list and part number

Item	Description	Pcs.	Models		
			AS 1,5 - 3	AS 5	AS 10-15-20 25-35-50
1	Accumulator shell	1	Not supplied as spare part		
2	Bladder	1	See detailed designation on Page 37		
3	Gas valve body	1	10107	10202	10333
4	Rubber-coated washer	1	10106	10205	10334
5	Gas valve locknut	1	10109		10302
6	Protection cap	1	10103		10301
7	Gas-fill valve	1	2072		
8	Name plate	1	10300-B	10300-C	10300-D
9	Bleed screw	1	10316		
10	Seal ring	1	10336		
11	Anti-extrusion plate	1	10159-1	10241-1	10421-1
12	Adapter "O" ring	1	OR3218	OR3281	OR4425
13	Adapter	1	10323/Ø thread	10244/Ø thread	10444/Ø thread
Gas valve assembly (parts 3-4-5-6-7)			2022	2042	2062
Gasket sets			2032 { OR2050 10341 10342 OR3218	2052 { OR2050 10341 10342 OR3281	2082 { OR2050 10341 10342 OR4425