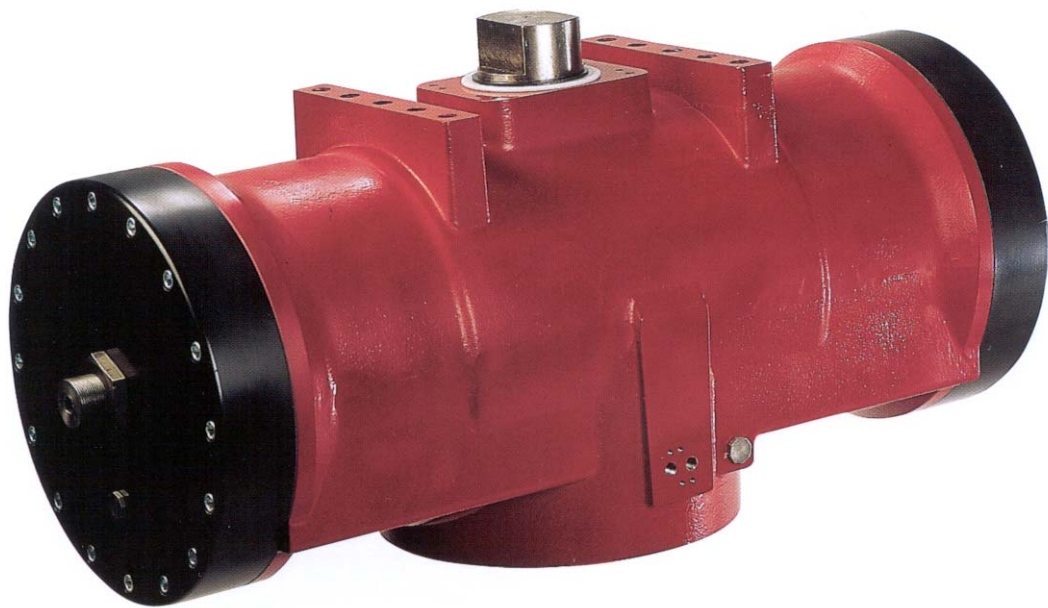


▶ RCG90-100 ◀

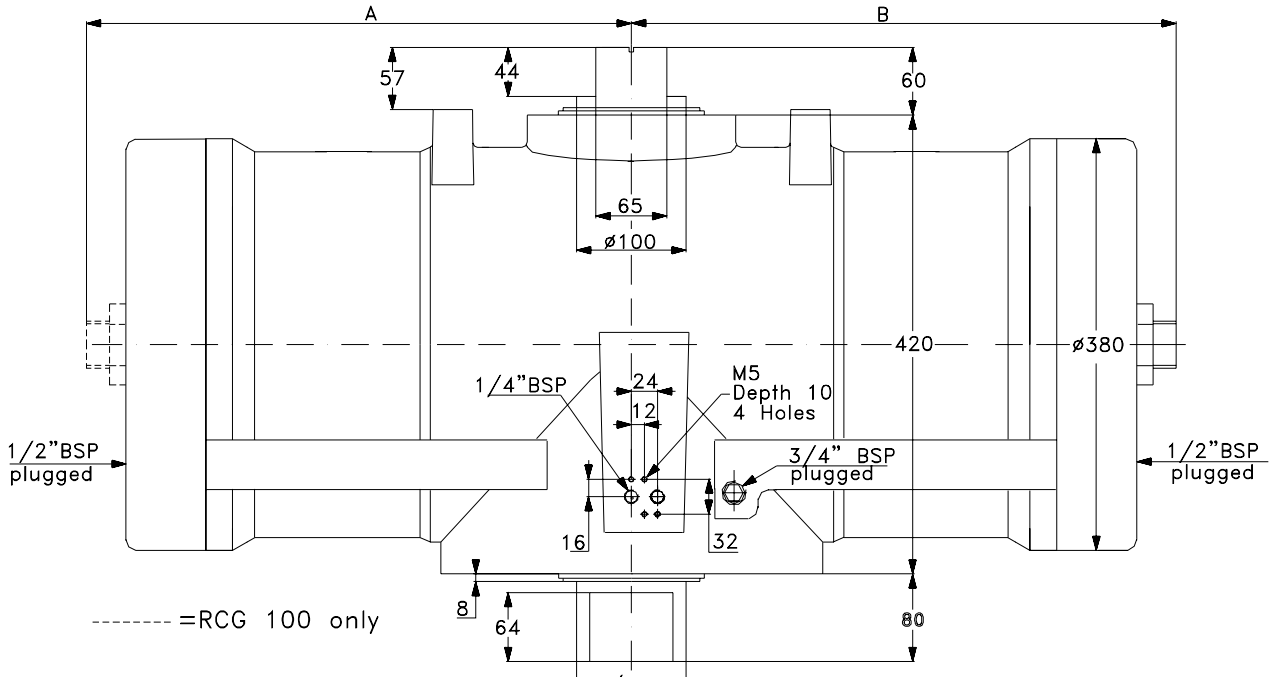
Pneumatic Actuators



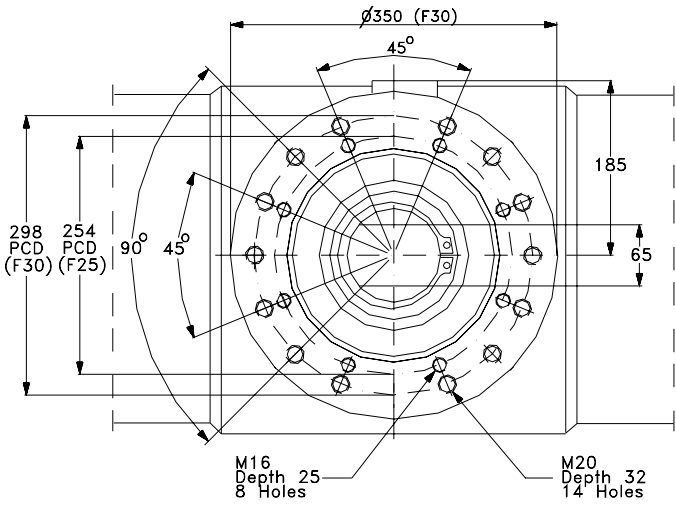
For demanding applications

- ▶ Strong, compact actuators for large valves and high torques
- ▶ Epoxy coated ductile iron in cylinder, end plates and spring housing
- ▶ Inside of cylinder Teflon lined for low friction and high corrosion protection
- ▶ Connection according to DIN3337/ISO5211 to valve
- ▶ Connection according to VDI/VDE3845 to solenoid valve
- ▶ Prepared for quick operation (extremely fast emergency)
- ▶ Optional: Manual override

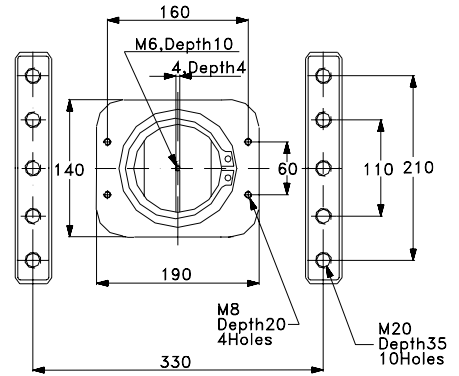
RCG-DA



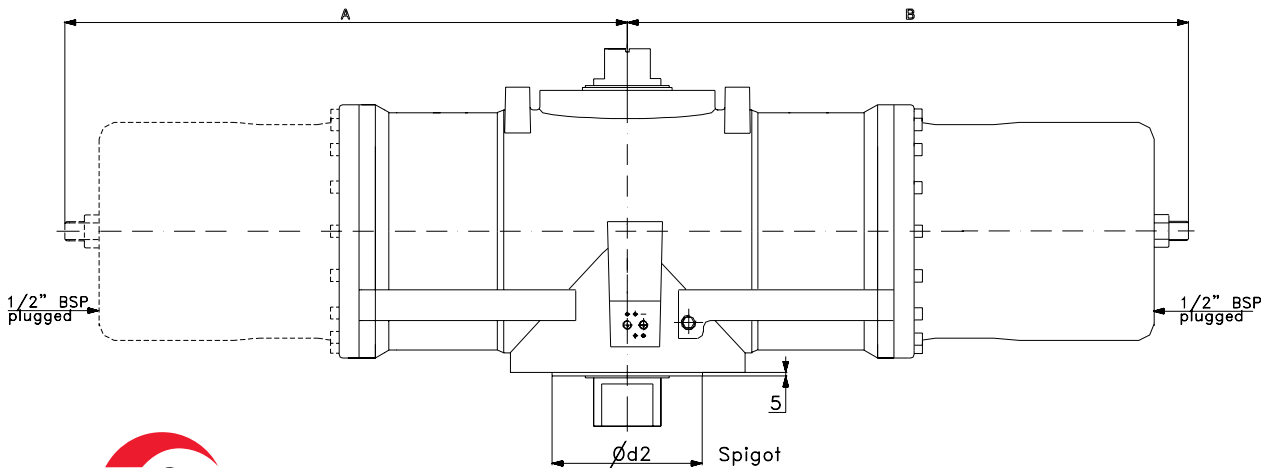
Mounting face



Top side



RCG-SR



Torque Nm At existing air pressure.

DA: Double Acting Actuator.

| Type | Position | 2,8 bar 40 psi | 3,5 bar 50 psi | 4,2 bar 60 psi | 4,5 bar 65 psi | 5,5 bar 80 psi | 6 bar 87 psi | 7 bar 100 psi | 8,5 bar 120 psi | 10 bar 145 psi |
|---------------|----------|-------------------|-------------------|-------------------|-------------------|-------------------|-----------------|------------------|--------------------|-------------------|
| RCG 90-DA | 0° | 3300 | 4170 | 5050 | 5500 | 6800 | 7400 | 8340 | 10400 | 12600 |
| | 50° | 1580 | 2010 | 2440 | 2650 | 3280 | 3570 | 4020 | 5000 | 6070 |
| | 90° | 2440 | 3100 | 3750 | 4080 | 5050 | 5500 | 6200 | 7700 | 9300 |
| RCG 100-DA | 0° | 6760 | 8600 | 10400 | 11300 | 14000 | 15250 | 17000 | 21400 | 25900 |
| | 50° | 3200 | 4050 | 4900 | 5380 | 6600 | 7200 | 8100 | 10000 | 12200 |
| | 90° | 5020 | 6380 | 7700 | 8400 | 10400 | 11350 | 12750 | 15900 | 19200 |

SR: Spring Return Actuator. Springs adapted to air pressure.

| Type | Function | Position | 2,8 bar / 40 psi | | 3,5 bar / 50 psi | | 4,2 bar / 60 psi | | 4,5 bar / 65 psi | | 5,5 bar / 80 psi | | 6 bar / 87 psi | | 7 bar / 100 psi | | |
|---------------|------------------|----------|------------------|--------|------------------|--------|------------------|--------|------------------|--------|------------------|--------|----------------|--------|-----------------|--------|--|
| | | | Air | Spring | Air | Spring | Air | Spring | Air | Spring | Air | Spring | Air | Spring | Air | Spring | |
| RCG 90-SR | Air opens | 0° | 1920 | | 2440 | | 2960 | | 3200 | | 4000 | | 4350 | | 5000 | | |
| | | 60° | 760 | | 960 | | 1160 | | 1240 | | 1560 | | 1700 | | 1950 | | |
| | | 90° | 920 | | 1160 | | 1400 | | 1560 | | 1920 | | 2100 | | 2400 | | |
| | Spring closes | 90° | | 1440 | | 1840 | | 2240 | | 2440 | | 3040 | | 3300 | | 3800 | |
| | | 30° | | 700 | | 880 | | 1064 | | 1160 | | 1440 | | 1550 | | 1800 | |
| | | 0° | | 1040 | | 1360 | | 1640 | | 1760 | | 2200 | | 2400 | | 2750 | |
| RCG 100-SR | Air opens | 0° | 3840 | | 4880 | | 5920 | | 6440 | | 8000 | | 8700 | | 10000 | | |
| | | 60° | 1540 | | 1960 | | 2360 | | 2580 | | 3200 | | 3500 | | 4000 | | |
| | | 90° | 1920 | | 2440 | | 2960 | | 3220 | | 4000 | | 4350 | | 5000 | | |
| | Spring closes | 90° | | 2980 | | 3780 | | 4600 | | 5000 | | 6200 | | 6750 | | 7750 | |
| | | 30° | | 1440 | | 1840 | | 2220 | | 2420 | | 3000 | | 3250 | | 3750 | |
| | | 0° | | 2160 | | 2740 | | 3340 | | 3620 | | 4500 | | 4900 | | 5620 | |

Measurements and weights

Measurement: mm Weight: kg

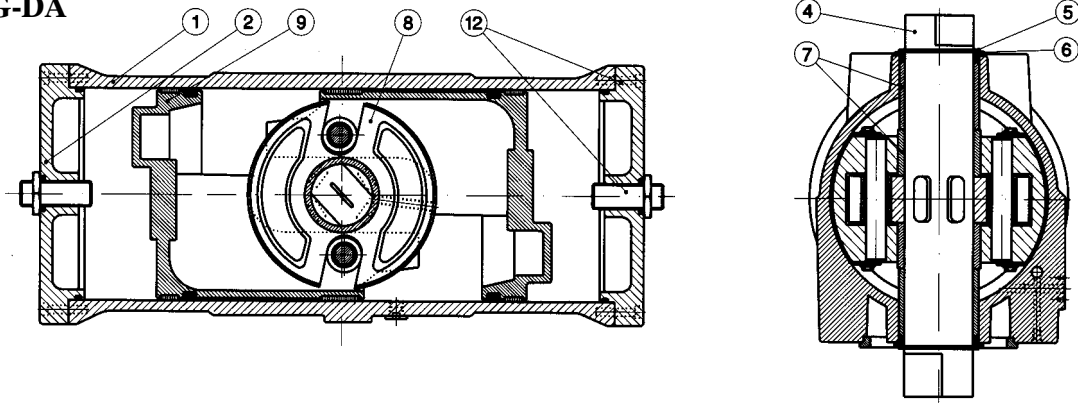
Air consumption

Litres free air at 6 bars air pressure

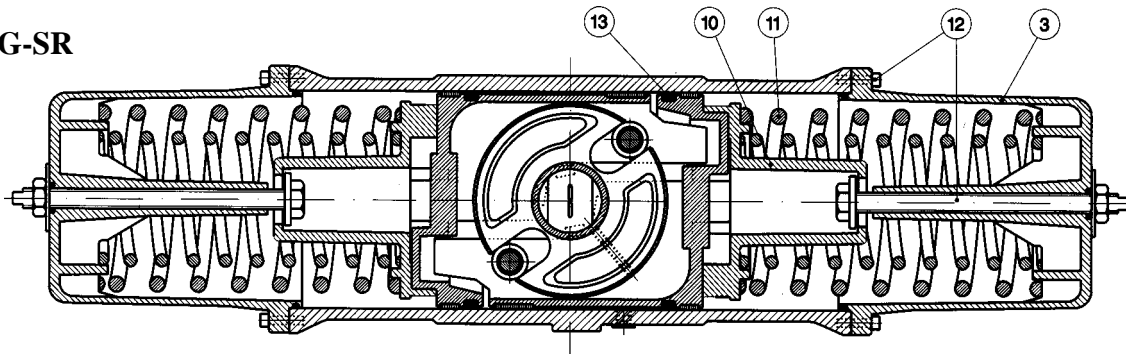
| Type | A | B | d2(f8) | Weight | Anti clockwise rotation | Clockwise rotation |
|------------|-----|-----|--------|--------|----------------------------|--------------------|
| RCG 90-DA | 415 | 520 | 200 | 280 | 130 | 305 |
| RCG 90-SR | 415 | 850 | 200 | 350 | 305 | — |
| RCG 100-DA | 520 | 520 | 230 | 310 | 260 | 265 |
| RCG 100-SR | 850 | 850 | 230 | 500 | 265 | — |

Operating times when using existing air connections: 3-60 seconds depending on the dimension of the connecting pipes, solenoid valves, etc.

RCG-DA



RCG-SR



Material table for RCG90-100, DA and SR

| Part No. | Description | Material | Part No. | Description | Material |
|----------|------------------------|---|----------|---------------------------------|---|
| 1 | Cylinder | Ductile iron, Epoxy coated | 8 | Scotch Yoke | Alloyed, forged steel |
| 2 | End plates | Steel, Epoxy coated | 9 | Piston | Aluminium |
| 3 | Spring housings | Ductile iron, Epoxy coated | 10 | Spring steering | Ductile iron, painted |
| 4 | Shaft | Carbon steel, zinc and yellow chromated <i>Option: Stainless steel</i> | 11 | Springs | Spring steel, painted |
| 5 | Circlips | Spring steel, Dacrolite-treated | 12 | Fastening and adjustment screws | Carbon steel, zinc-plated <i>Option: Stainless steel</i> |
| 6 | Thrust washers | POM (Delrin) <i>Option: Stainless steel</i> | 13 | O-Rings | Nitrile |
| 7 | Bearing & Support ring | POM (Delrin) <i>Option: Tin bronze</i> | | | |

We reserve our right for modifications caused by technical development.